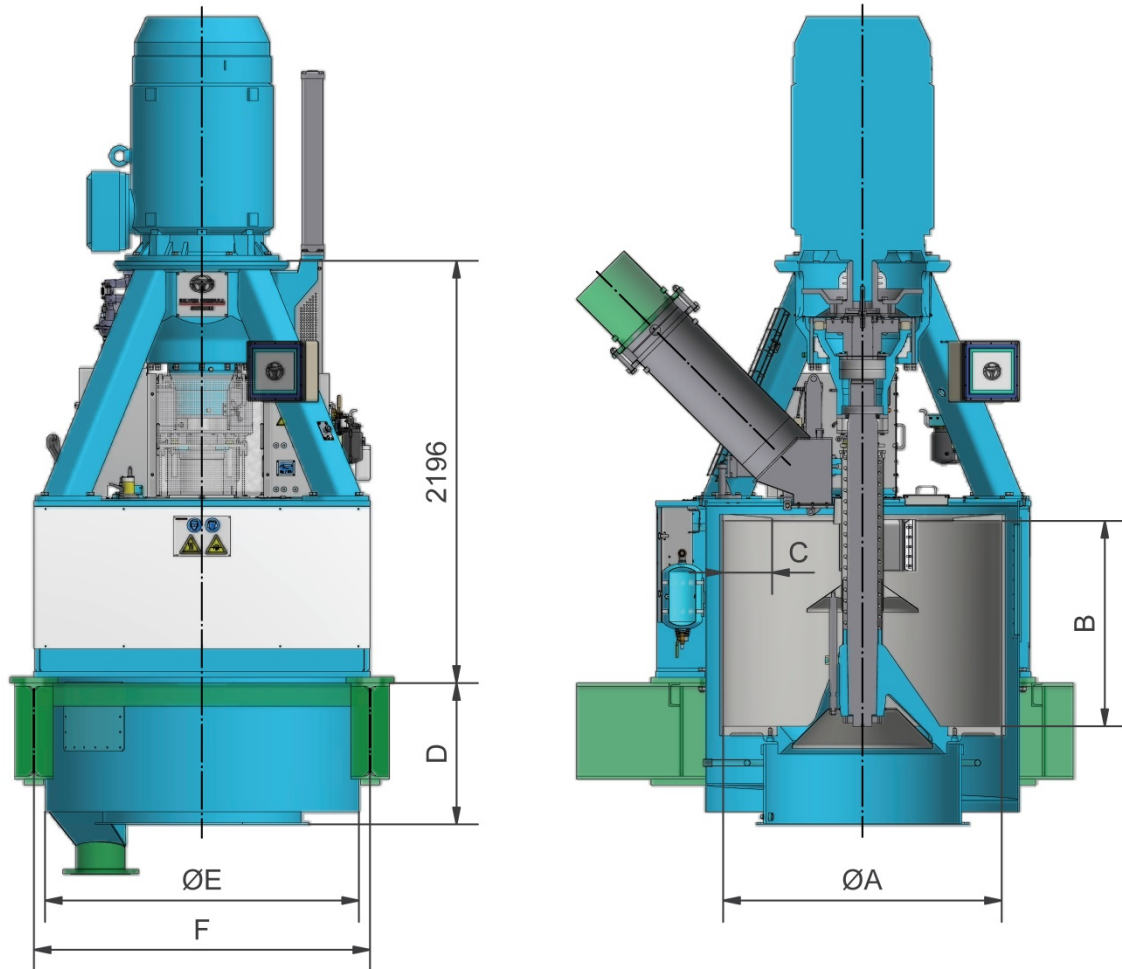


Dimensions Centrifugal Stand Alone



Model	Basket Dimensions			D	E	F	Max Speed rpm	Geometric Charge (kg)	Practical Charge (kg)	Bottom Cover Type
	A	B	C							
SW-850/E	mm	1320	1067	735	1634	1750	1250	850	935	R*/P**
	inches	52	42							
SW-1250/E	mm	1320	1067	735	1634	1750	1250	1250	1375	R*/P**
	inches	52	42							
SW-1250/E	mm	1450	1067	735	1634	1750	1225	1250	1375	R*/P**
	inches	57	42							
SW-1500/E	mm	1450	1067	735	1634	1750 1800 1829	1150	1500	1650	R*/P**
	inches	57	42							
SW-1750/E	mm	1600	1067	787	1850	2032 2100	1050	1750	1925	P**
	inches	63	$42\frac{1}{4}$							
SW-2000/E	mm	1600	1200	920	1850	2100	1050	2000	2200	P**
	inches	63	47							
SW-2250/E	mm	1800	1200	920	2050	2300	960	2250	2475	P**
	inches	71	47							

R* Rubber Membrane Bottom Cover

P** Plate Cone Bottom Cover